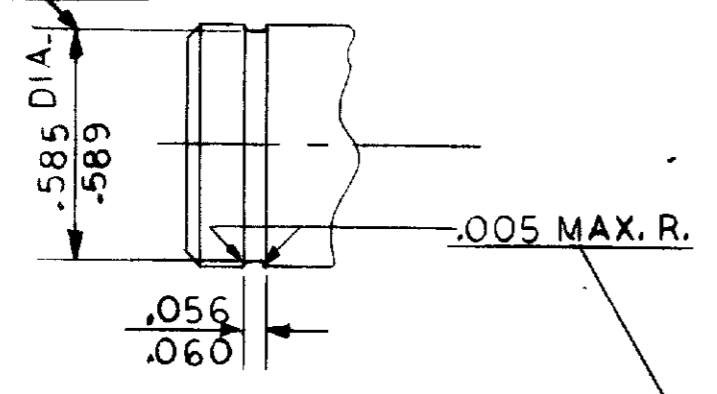


SERVICE PART NO.	COMPONENT PART NO'S	NO. REQ'D
11457	11455	1
BODY	413	2
10619	10611	1
COVER	6333-G	1
10927	10523	1
SEAL SEAT	10926	1

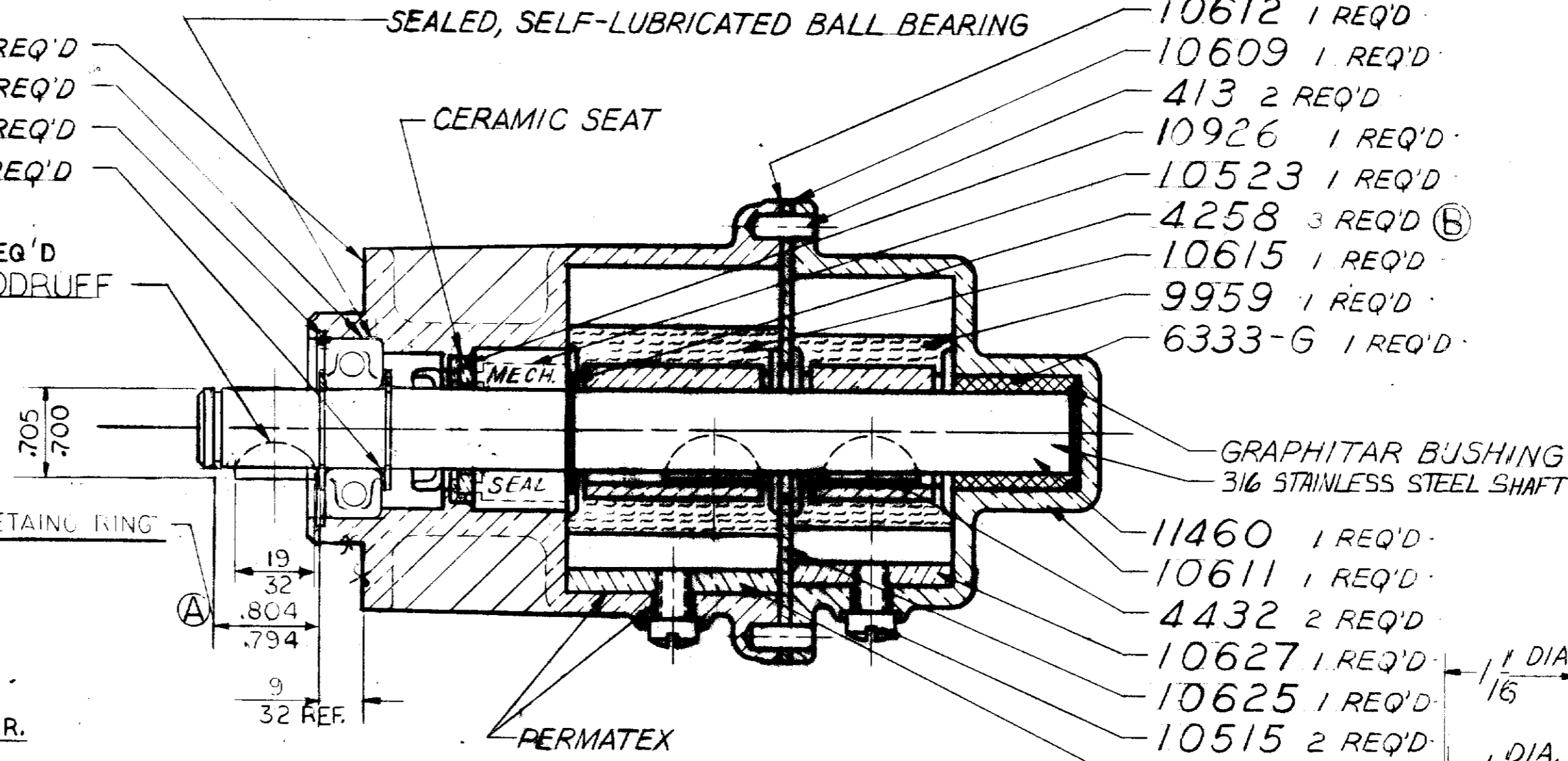
MAJOR REPAIR KIT # 12299  
MINOR REPAIR KIT # 10922

MODIFIED 11515 1 REQ'D  
N#99 WOODRUFF KEY

THIS DIA. MUST BE CONCENTRIC WITH 6245/6250 DIA. WITHIN .002 FIR



TO EXTERNAL RETAINING RING

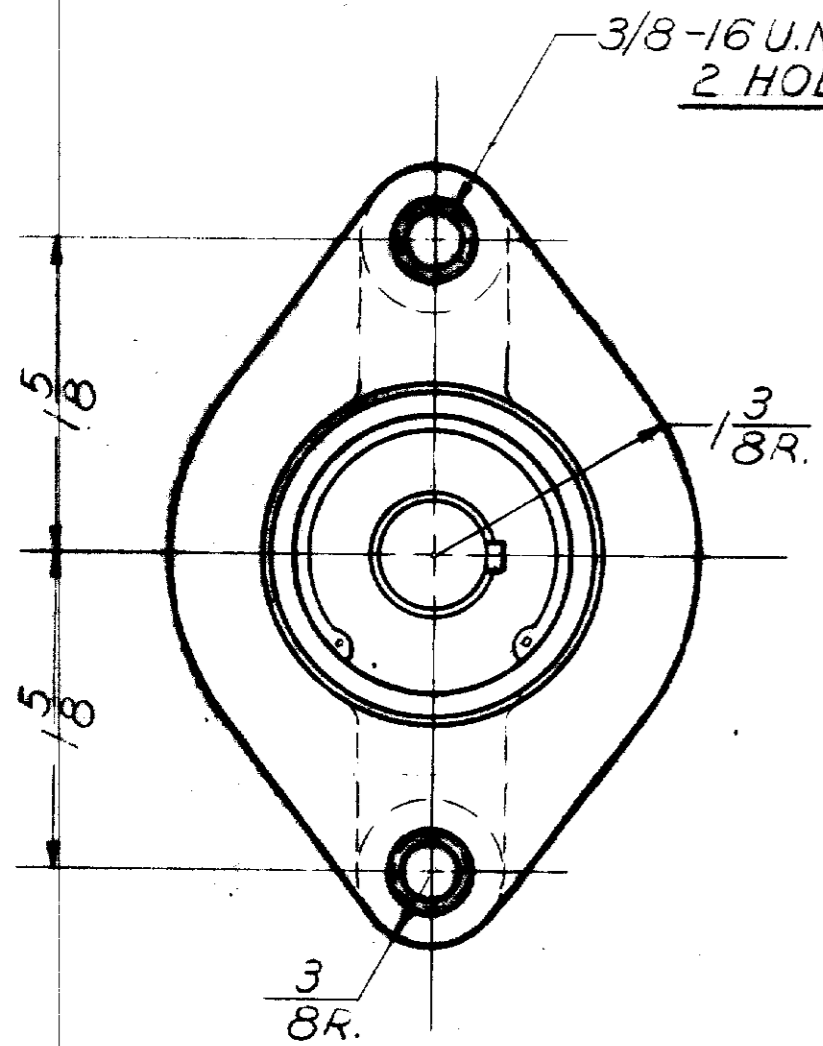


- 11455 1 REQ'D
- 4257 1 REQ'D
- 4259 1 REQ'D
- 11456 1 REQ'D
- 10612 1 REQ'D
- 10609 1 REQ'D
- 413 2 REQ'D
- 10926 1 REQ'D
- 10523 1 REQ'D
- 4258 3 REQ'D (B)
- 10615 1 REQ'D
- 9959 1 REQ'D
- 6333-G 1 REQ'D

- 11460 1 REQ'D
- 10611 1 REQ'D
- 4432 2 REQ'D
- 10627 1 REQ'D
- 10625 1 REQ'D
- 10515 2 REQ'D
- 10944 1 REQ'D
- 343 6 REQ'D
- 5771 6 REQ'D

STAMP PUMP ASSEMBLY NO. AND DATE CODE ON TAG, ATTACH WITH SCREW

13285 1 REQ'D



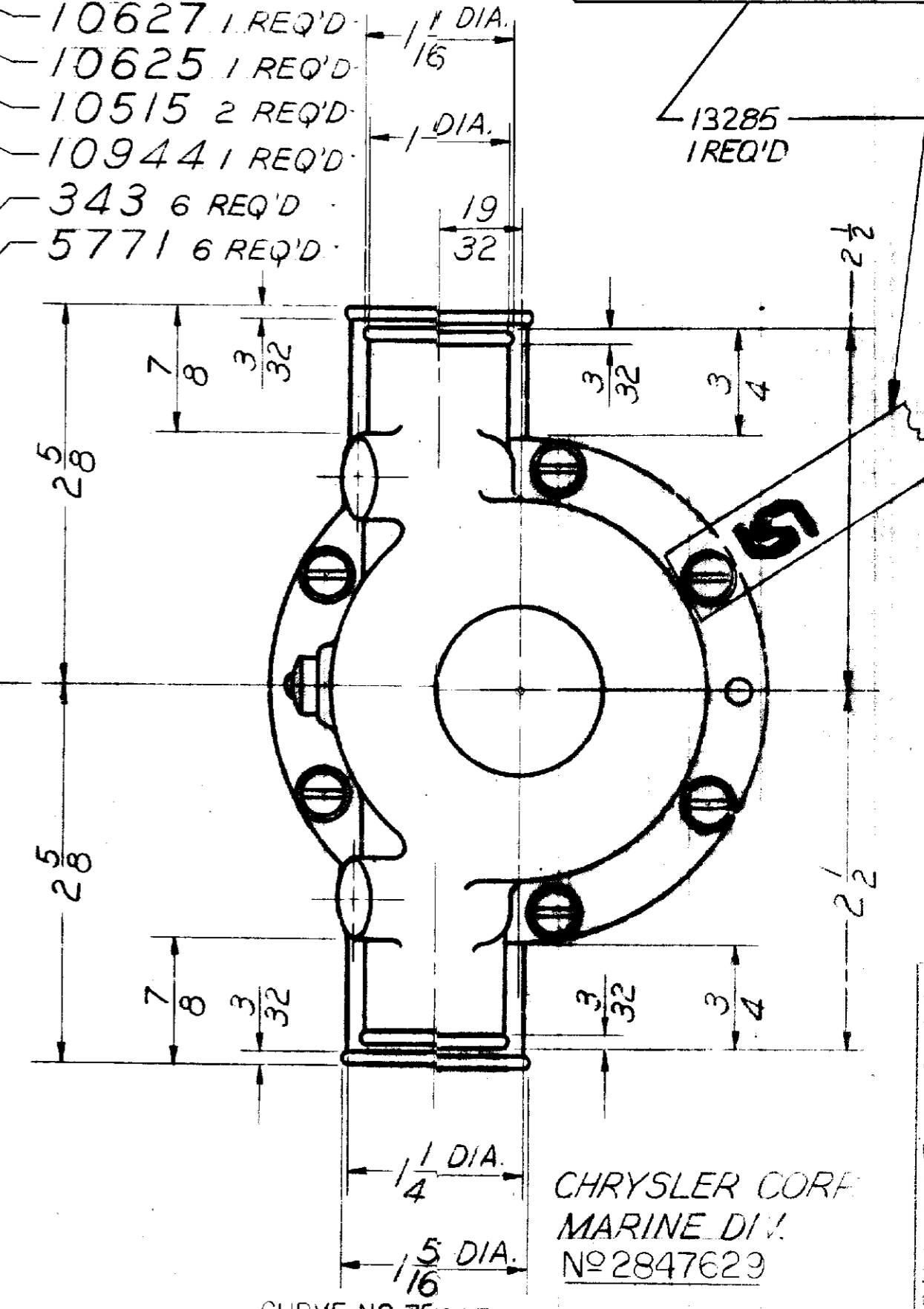
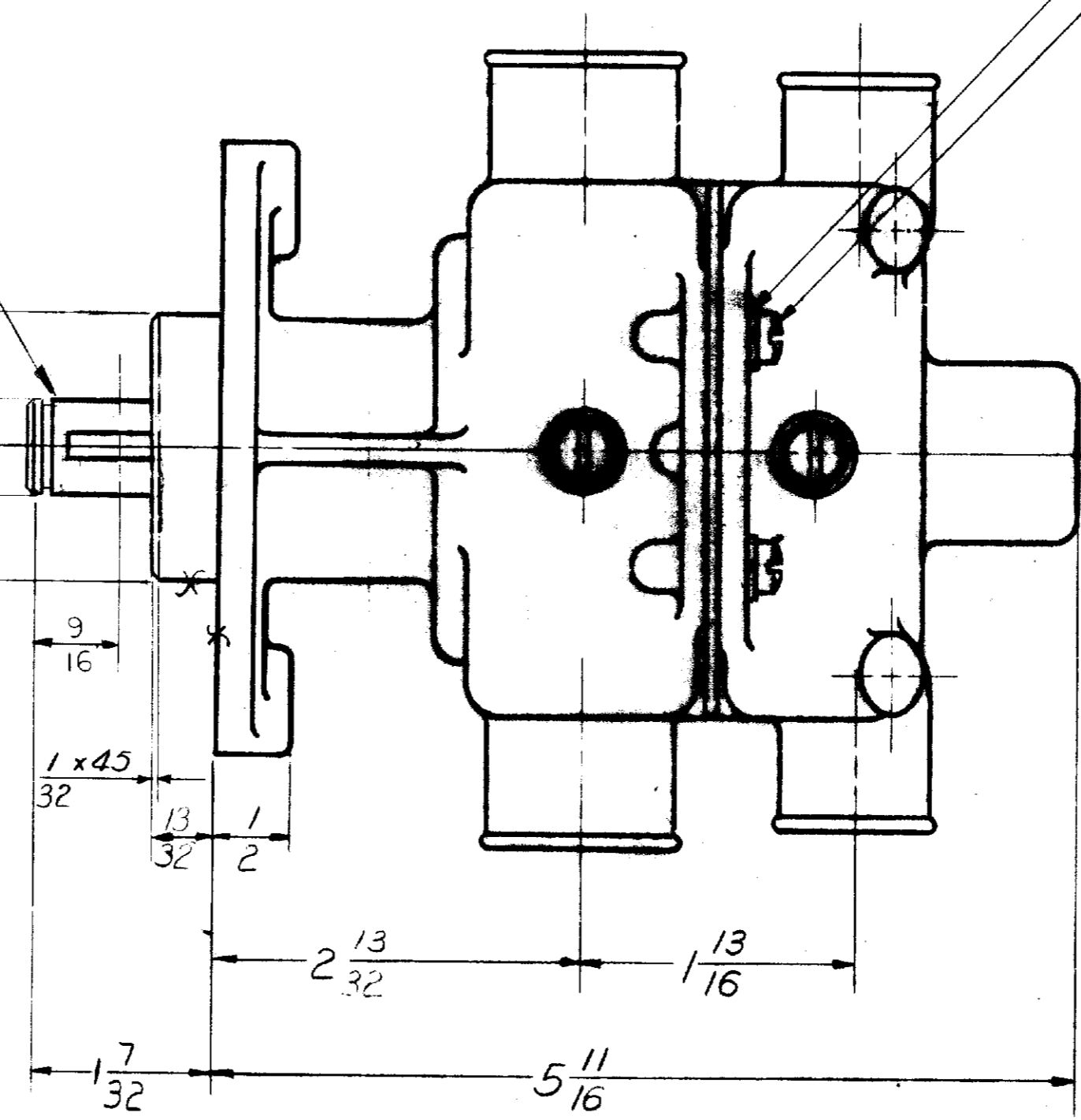
3/8-16 U.N.C. -2B TAP  
2 HOLES

**CAPACITY**  
20.0 G.P.M. @ 3600 R.P.M., OUTBOARD PORT  
30.0 G.P.M. @ 3600 R.P.M., INBOARD PORT

(D) THIS PUMP ASSY IS TO BE SHIPPED TO THE CUSTOMER IN A NO.10 CARTON (WITH INSERTS) 10 PUMPS TO A CARTON

(E) FOR SERVICE:  
PACKAGE THIS PUMP ASSEMBLY IN A # Y BOX 1 REQ'D  
# 2 JIFFY BAG 1 REQ'D  
# 12209 LABEL 1 REQ'D  
(G) # 1347Z SERVICE KIT ADDED 1 REQ'D

REDRAWN  
WITHOUT CHANGE 6/8/87



CHRYSLER CORP  
MARINE DIV.  
NO 2847629

CURVE NO 75007B

H	ADDED TAG NO 13285	
G	NO 1347Z SERVICE BULLETIN ADDED	RI 2-1-82
F	PACKAGING NOTE ADDED	RM 2-1-82
E	12299-10922 KIT REVISED	RM 6-28-77
D	NOTES ADDED	RM 7/6/77
C	MAJOR SERVICE KIT ADDED	RM 7/6/77
B	WAS 2 REQ'D	RM 7/6/77
A	WAS 2 REQ'D	RM 7/6/77

TITLE	DATE	MATERIAL
IMPELLER PUMP ASS'Y		SEE DETAILS
FULL	6-18-69	
B.P.	6-20-68	
A.V.B.		